



Acme Sanitary Ware Co Ltd

Acme Building, 22-28 Nanking Street, Kowloon, Hong Kong
 Tel: 2388 7171 Fax: 2710 8012
 E-mail: acme@acmesanitary.com.hk
 Website: www.acmesanitaryware.com.hk

PROJECT		REF		REV	ITEM CODE	
LOCATION		DATE			PAGE	

SANITARY WARE SPECIFICATION SHEET

Item Descriptions	Mediclinics (Spain) stainless steel AISI 304 wall-mounted supply automatic liquid soap dispenser in satin finish DC supply	Illustration/ Drawing
Dimensions	L110 x W120 x H240 mm	
Model	DJ0037ACS	
Material/ Finish	Stainless Steel / Satin Finish	
Manufacturer	Mediclinics, S.A. (Spain)	
Supplier	Acme Sanitary Ware Co. Ltd Mr. Eric Wong/ Mr. Don Yuen	
Contact Tel/Fax E-mail Website	(852) 2388-7171 / (852) 2710-8012 acme@acmesanitary.com.hk www.acmesanitary.com.hk	

General Description <ul style="list-style-type: none"> Automatic wall-mounted liquid soap dispenser of 1 L capacity, manufactured in stainless steel AISI 304, 0.8 mm thick. Available in four finishes (white, black, bright and satin) these soap dispenser models have a functional, robust and trendy design that matches the new range of Mediclinics bathroom accessories. This allows this soap dispenser to blend into any space perfectly. Suitable for high traffic facilities and for public use. Level display located in the front part of the soap dispenser. It constantly indicates the level of soap available inside the soap dispenser. Operates on 6 AA alkaline batteries (not provided). It is recommended to use liquid soap or gel disinfectant soap with the following characteristics: <ul style="list-style-type: none"> -Maximum alcohol content of 70% -Density between 0.9 and 1.35 kg / dm³ -Viscosity between 550 and 2,500 cps. <p>It does not support soaps that contain chlorine or solid or abrasive particles.</p> <p>Screws and plastic plugs to mount on a brick wall supplied.</p>	 DJ0037A White epoxy finish DJ0037AB Matte black epoxy finish DJ0037AC Bright finish DJ0037ACS Satin finish
---	---

Refillable tank	
Technical specifications	
Dimensions	240 x 110 x 120 mm
Capacity	1 L
Body, cover & base plate thickness	0.8 mm
Inner Tank Thickness	2.5 mm
Net weight	1.25 Kg
Quantity dispensed per pump	1.5 ml
Maximum alcohol content in soap	70%

Note:

* All information of the above is for the reference only. No prior notice is made if any changes.

Source: Mediclinics, S.A.





Acme Sanitary Ware Co Ltd

Acme Building, 22-28 Nanking Street, Kowloon, Hong Kong
Tel: 2388 7171 Fax: 2710 8012
E-mail: acme@acmesanitary.com.hk
Website: www.acmesanitaryware.com.hk

PROJECT		REF		REV	ITEM CODE	
LOCATION		DATE			PAGE	

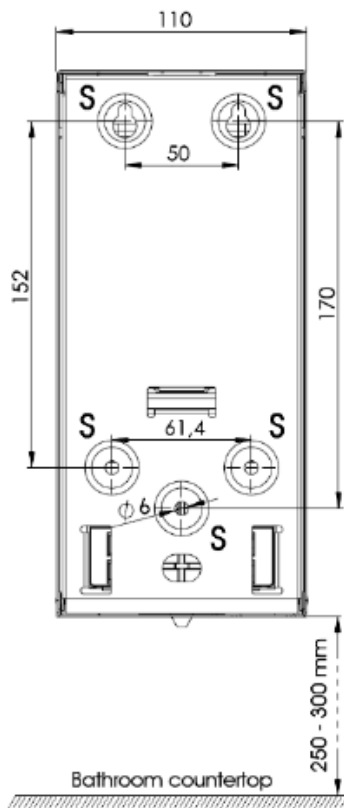
SANITARY WARE SPECIFICATION SHEET

Components & materials

- **DJ0037A:** Stainless steel AISI 304, white epoxy finish.
- **DJ0037AB:** Stainless steel AISI 304, black matte epoxy finish.
- **DJ0037AC:** Stainless steel AISI 304, bright finish.
- **DJ0037ACS:** Stainless steel AISI 304, satin finish.
- **COVER:** made of stainless steel AISI 304, 0.8 mm thick.
- **WALL PLATE:** made of stainless steel AISI 304, 0.8 mm thick. It is mounted on the wall by means of four Ø4 stainless steel screws (provided) with their corresponding Ø 6mm plastic plugs (also provided).
- **INNER PLASTIC TANK:** prevents oxidation and that can be easily removed for cleaning and disinfection purposes.
- **INFRA-REDDTECTION:** with a 5 cm hands detection range.
- **VALVE:** anti-drip corrosion resistant that dispenses 1.5ml of soap per service. This anti-drip valve, which dispenses liquid soap, is easily interchangeable with the valves of the other soap dispensers of the same line.
- **HINGED COVER:** for operator convenience and speed of service. Opening on top with provided Mediclinics key that allows soap refill.
- **POWER:** 6 AA alkaline batteries (not provided).

Mounting Template

Fix the soap dispenser through the holes of the wall and floor plates, using the stainless steel screws supplied and taking into account the distances of the points indicated by an "S" in the next figure:



VERY IMPORTANT:

Do not install this soap dispenser inside the shower, as its electrical components can be seriously damaged by water and the dispenser stops working. If you choose the configuration with an electric converter, install it away from any source of water.



Note:

* All information of the above is for the reference only. No prior notice is made if any changes.



Source: Mediclinics, S.A.



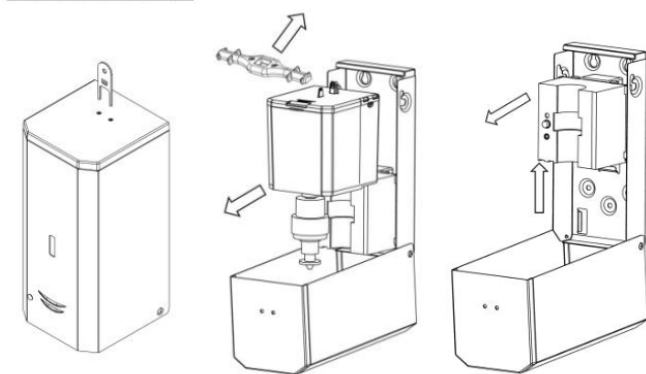
Acme Sanitary Ware Co Ltd

Acme Building, 22-28 Nanking Street, Kowloon, Hong Kong
 Tel: 2388 7171 Fax: 2710 8012
 E-mail: acme@acmesanitary.com.hk
 Website: www. acmesanitaryware.com.hk

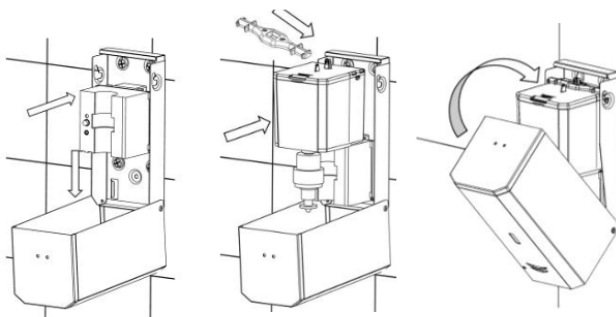
PROJECT		REF		REV	ITEM CODE	
LOCATION		DATE			PAGE	

SANITARY WARE SPECIFICATION SHEET

Installation

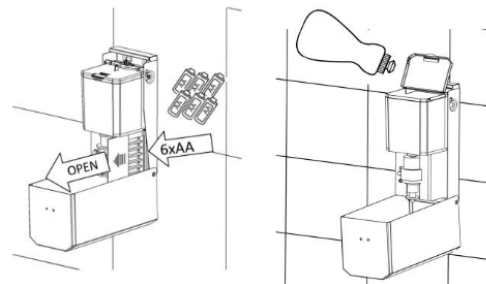


Open the unit with the provided key
 Remove the soap tank locator and the soap tank with the valve
 Remove the mechanism



Reassembly the mechanism, the soap tank with the valve and the soap tank locator
 Close the unit

Operating instructions



Open the unit with the provided key
 Remove the battery cover and install 6 Alkaline 1.5V AA batteries. The LED will blink 3 times
 If you are using the power adapter it is not necessary to install the batteries
 Open the soap tank cover and fill with soap. Close the unit
 Place the hand below the unit. The blue LED blinks and the soap is dispensed
 If the red LED blinks the batteries must be replaced

Specifications

Body material (all versions)	Stainless Steel AISI 304
Dimensions	240 x 120 x 120 mm
Soap Tank Capacity	1000 ml
Battery	6 x Alkaline AA (1.5V)
Room Temperature	+5°C – +40°C
Dispensed soap quantity	1-2 ml (liquid)
Suggested viscosity (liquid)	500-2500 cps
Max. Alcohol content in soap	70%

Note:

* All information of the above is for the reference only. No prior notice is made if any changes.